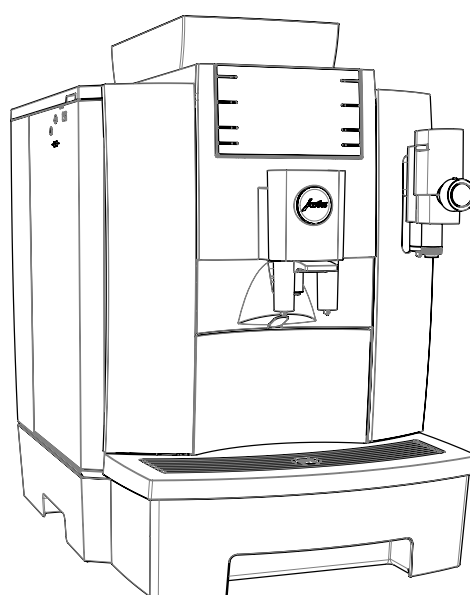


## W8 (EA/SA/INTA)

### Technical documentation



#### Requirements for installation location

- Horizontal surface that is not sensitive to water
- Ambient conditions:
  - Air humidity max. 80%
  - Ambient temperature 10–35°C

**i** The required connections at the customer's premises must be carried out by an approved **qualified person** before the JURA service technician can set up the machine at your chosen location.

**i** Please make sure that the building connections are as close as possible to the location of the machine (refer to length of connection pipes).

Always note the information in the instructions for use for your coffee machine (Chapter "Setting up the machine").

# Dimensions

